

# SCC Series – Part Numbering



## Features

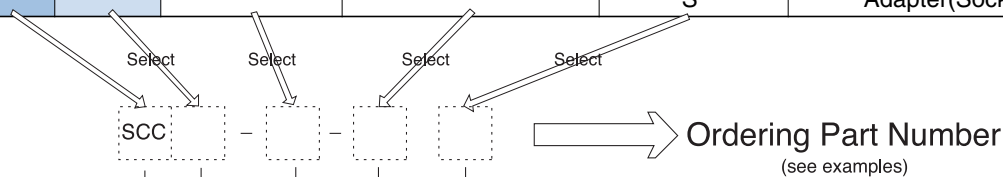
- Rugged
- Light weight
- Low cost
- General purpose

## Applications

- Industrial

## Part Numbering

Part Number		Size	Number of Contacts	Suffix (Contact Type)	Notes	Page
Series	Prefix (Body)					
SCC	6A	13,16,21,25	13 size : 3,5	P	Plug(Pin)	14
				S	Plug(Socket)	15
	2A		16 size : 7,10	P	Receptacle(Pin)	15
				S	Receptacle(Socket)	14
	1A		25 size : 16,24	P	Adapter(Pin)	15
				S	Adapter(Socket)	14



### Connector Series (Body Type)

SCC6A - Plug  
 SCC2A - Receptacle  
 SCC1A - Adapter

### Size

13,16,21,25

### No. of Contacts

13 Size : 3,5  
 16 Size : 7,10  
 21 Size : 3,4,10,16  
 25 Size : 16,24

### Contact Type

P : Pin  
 S : Socket

### Examples

**SCC6A - 13 - 3P**  
 SCC series Plug - Size 13 - 3 pin

**SCC2A - 16 - 10S**  
 SCC series Receptacle - Size 16 - 10 socket

**SCC1A - 25 - 24P**  
 SCC series Adapter - Size 25 - 24 pin

## Major Performances / Contact Arrangements

Performance	Size 13		Size 16			
	3	5	7	10		
Withstanding Voltage (per min) <sup>1</sup>	AC 250V	AC 250V	AC 250V	AC 250V		
Current	10A	5A	10A	5A		
Insulation Resistance (Minimum) <sup>2</sup>	1,000MΩ	1,000MΩ	1,000MΩ	1,000MΩ		
Contact Resistance (Maximum) <sup>3</sup>	5mΩ	5mΩ	5mΩ	5mΩ		
Solder Pot Inside Diameter (∅)	1.5	1.0	1.5	1.0		
Contact Arrangement						
Performance	Size 21				Size 25	
	3	4	10	16	16	24
Withstanding Voltage (per min) <sup>1</sup>	AC 1500V, 1min	AC 1500V, 1min	AC 250V	AC 250V	AC 250V	AC 250V
Current	20A	15A	10A	5A	10A	5A
Insulation Resistance (Minimum) <sup>2</sup>	more than 1000MΩ, at DC 500V	more than 1000MΩ, at DC 500V	1,000MΩ	1,000MΩ	1,000MΩ	1,000MΩ
Contact Resistance (Maximum) <sup>3</sup>	5mΩ	5mΩ	5mΩ	5mΩ	5mΩ	5mΩ
Solder Pot Inside Diameter (∅)	2.7 (#12 AWG)	2.2 (#14 AWG)	1.5	1.0	1.5	1.0
Contact Arrangement						

- <sup>1</sup> Withstanding voltage is the tested voltage value in this table.  
<sup>2</sup> Insulation resistance is measured at DC 100V.  
<sup>3</sup> Contact resistance is measured at DC 1A.  
 • Values are from tested items and may not apply to all connectors.  
 • Specifications subject to change without notice.  
 • Consult for the latest specifications.  
<sup>4</sup> Connector contact arrangement is from mating surface.

## Material Used / Finish

	Material	Finish
Body	Aluminum alloy	Ni Plating
Insulator	Thermosetting resin	UL94V-0 ; Blue
Contacts	Pin	Copper alloy Silver Plating
	Socket	Copper alloy Silver Plating

## Mating & Unmating Force

Shell Size	Contacts	Force	Shell Size	Contacts	Force
13	3	< 1.4Kg	13	5	< 1.5Kg
16	7	< 3.2Kg	16	10	< 3.4Kg
21	10	< 4.5Kg	21	16	< 5.5Kg
25	16	< 7.2Kg	25	24	< 8.2Kg

## SCC Series Mini-map



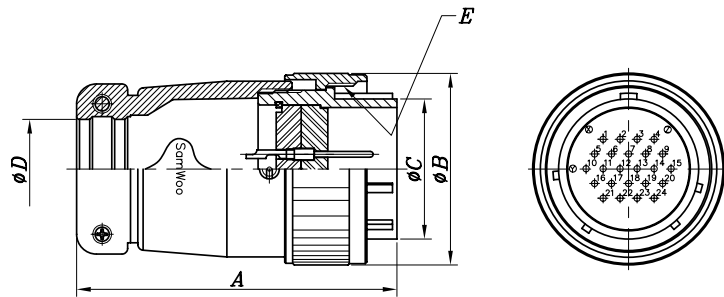
Specifications subject to change without notice.

# SCC Series – Male Plug, Female Receptacle / Adapter

## SCC6A Plug



SCC6A-25-24P



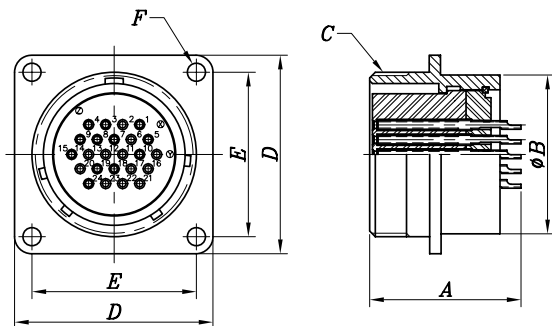
Part Number	A	ØB	ØC	ØD	E
SCC6A-13- 3P	45.7	21.5	12.7	8.0	M18×1.0P
SCC6A-13- 5P					
SCC6A-16- 7P	48.0	25.5	16.3	11.5	M22×1.0P
SCC6A-16-10P					

Part Number	A	ØB	ØC	ØD	E
SCC6A-21- 3P	53.5	29.7	20.5	14.0	M26×1.0P
SCC6A-21- 4P					
SCC6A-21-10P	53.5	29.7	20.5	14.0	M26×1.0P
SCC6A-21-16P					
SCC6A-25-16P	56.5	33.8	24.7	17.5	M30×1.0P
SCC6A-25-24P					

## SCC2A Receptacle



SCC2A-25-24S



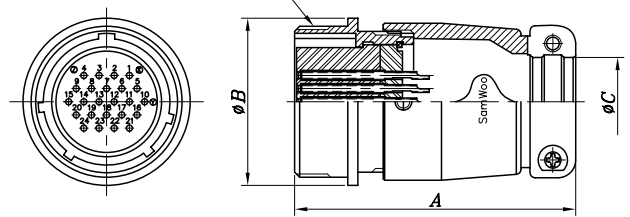
Part Number	A	ØB	C	D	E	F
SCC2A-13- 3S	27.8	16.0	M18×1.0P	26.0	20.0	4- Ø3.2
SCC2A-13- 5S	26.5					
SCC2A-16- 7S	27.6	19.8	M22×1.0P	29.0	23.0	4- Ø3.2
SCC2A-16-10S	27.0					

Part Number	A	ØB	C	D	E	F
SCC2A-21- 3S	31.1	24.0	M26×1.0P	32.0	26.0	4-Ø3.3
SCC2A-21- 4S	29.4					
SCC2A-21-10S	27.1	24.0	M26×1.0P	32.0	26.0	4- Ø3.3
SCC2A-21-16S	26.6					
SCC2A-25-16S	27.3	27.9	M30×1.0P	35.0	29.5	4- Ø3.3
SCC2A-25-24S	26.7					

## SCC1A Adapter



SCC1A-25-24S

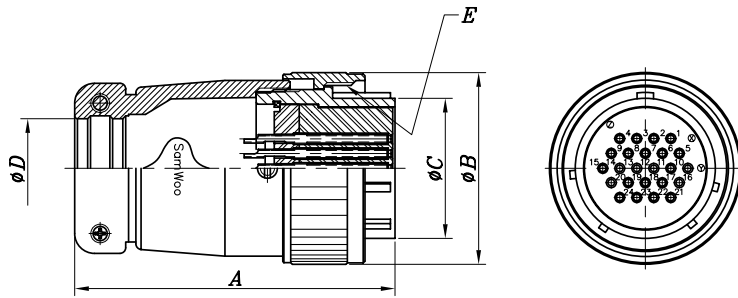


Part Number	A	ØB	ØC	D
SCC1A-13- 3S	45.0	21.0	8.0	M18×1.0P
SCC1A-13- 5S				
SCC1A-16- 7S	47.8	25.0	11.5	M22×1.0P
SCC1A-16-10S				

Part Number	A	ØB	ØC	D
SCC1A-21- 3S	51.5	29.0	14.0	M26×1.0P
SCC1A-21- 4S				
SCC1A-21-10S	51.5	29.0	14.0	M26×1.0P
SCC1A-21-16S				
SCC1A-25-16S	55.5	33.0	17.5	M30×1.0P
SCC1A-25-24S				

# Female Plug, Male Receptacle / Adapter – SCC Series

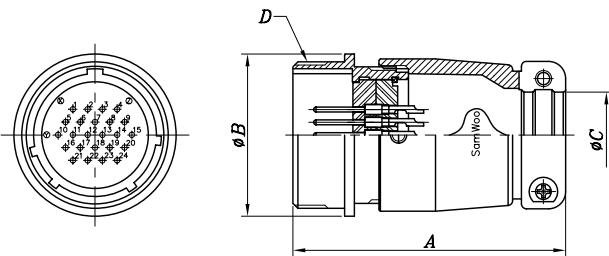
## SCC6A Plug



Part Number	A	ØB	ØC	ØD	E
SCC6A-13- 3S	45.7	21.5	12.7	8.0	M18×1.0P
SCC6A-13- 5S					
SCC6A-16- 7S	48.0	25.5	16.3	11.5	M22×1.0P
SCC6A-16-10S					

Part Number	A	ØB	ØC	ØD	E
SCC6A-21- 3S	53.5	29.7	20.5	14.0	M26×1.0P
SCC6A-21- 4S					
SCC6A-21-10S	53.5	29.7	20.5	14.0	M26×1.0P
SCC6A-21-16S					
SCC6A-25-16S	56.5	33.8	24.7	17.5	M30×1.0P
SCC6A-25-24S					

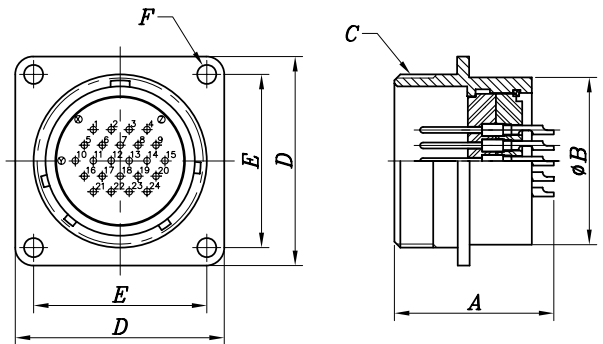
## SCC1A Adapter



Part Number	A	ØB	ØC	D
SCC1A-13- 3P	45.0	21.0	8.0	M18×1.0P
SCC1A-13- 5P				
SCC1A-16- 7P	47.8	25.0	11.5	M22×1.0P
SCC1A-16-10P				

Part Number	A	ØB	ØC	D
SCC1A-21- 3P	51.5	29.0	14.0	M26×1.0P
SCC1A-21- 4P				
SCC1A-21-10P	51.5	29.0	14.0	M26×1.0P
SCC1A-21-16P				
SCC1A-25-16P	55.5	33.0	17.5	M30×1.0P
SCC1A-25-24P				

## SCC2A Receptacle



Part Number	A	ØB	C	D	E	F
SCC2A-13- 3P	26.5	16.0	M18×1.0P	26.0	20.0	4- Ø3.2
SCC2A-13- 5P						
SCC2A-16- 7P	26.5	19.8	M22×1.0P	29.0	23.0	4- Ø3.2
SCC2A-16-10P						

Part Number	A	ØB	C	D	E	F
SCC2A-21- 3P	30.9	24.0	M26×1.0P	32.0	26.0	4- Ø3.3
SCC2A-21- 4P	29.4					
SCC2A-21-10P	25.5	24.0	M26×1.0P	32.0	26.0	4- Ø3.3
SCC2A-21-16P	26.3					
SCC2A-25-16P	26.2	27.9	M30×1.0P	35.0	29.5	4- Ø3.3
SCC2A-25-24P	26.5					